

Hold Down Blocks

- Model No. HD-72, HD-142
- Hold-down line is connected to the shackle at the bottom of the frame
- Block can be lowered to the ground without interrupting pulling operation and without a required climb
- HD-72 is available in ductile iron frame, HD-142 is available in steel frame with two 7 in. or 14 in. sheaves lined with urethane

Model No.	Sheave Size (in.)	Max. Working Load (lb.)
HD-72-DIU	7	4,000
HD-142-U	14	5,000



HD-72

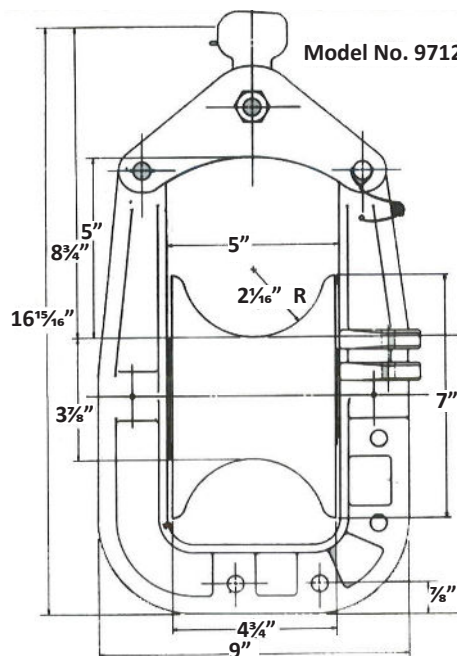


HD-142

97 Series: Versatile T&D Block Model No. 9712

- Extremely versatile for stringing overhead cables
- Lightweight aluminum alloy frame can be mounted directly to pole or suspended from the messenger with accessory
- Sheave is high strength, abrasion-resistant nylon composite

Model 9712	
Max. OD Conductor	4 in.
Max. Working Load in Suspension	5,000 lb.
Block Weight	16 lb.



*Specifications are subject to change