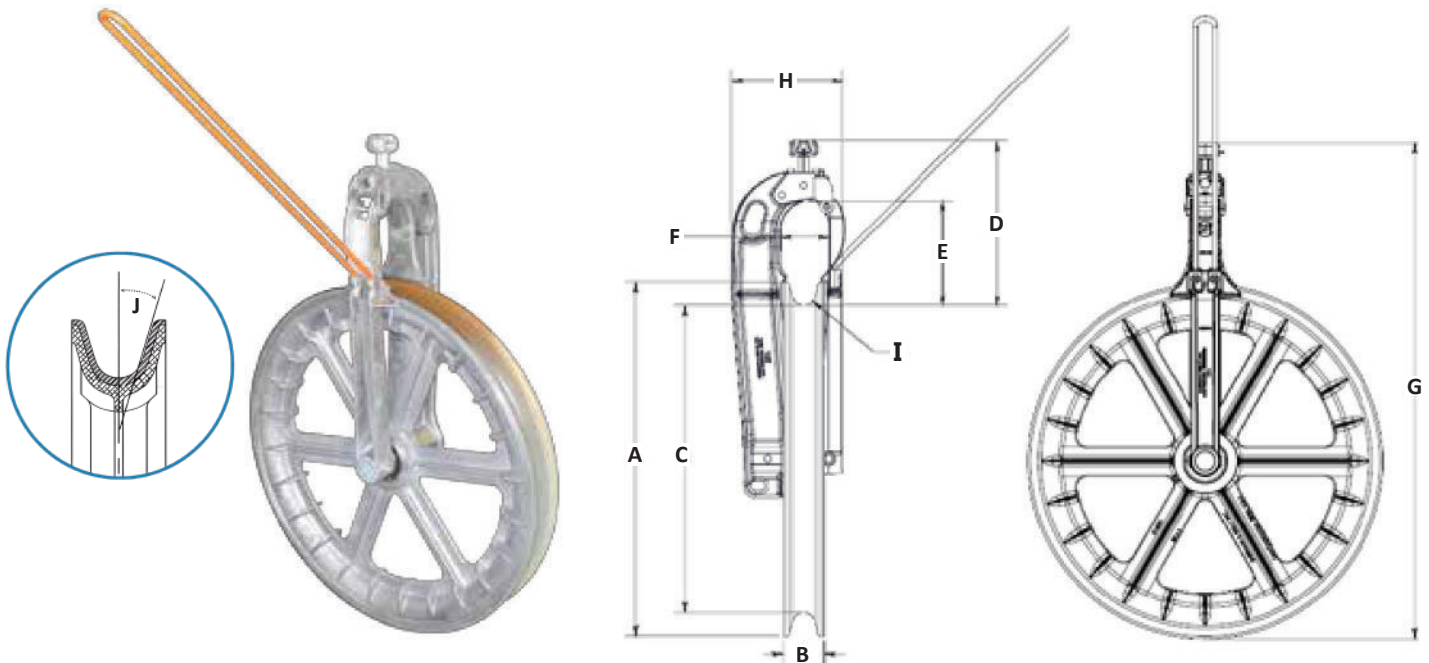


72 Series Blocks

The 72 Series multiversal stringing blocks offer incredible flexibility. With a few exceptions, the 72 Series blocks may be configured for 22 in., 28 in., 35 in. and 42 in. (OD) sheaves.



Size (nom.)	Sheave OD (in.)	Rim Width (in.)	Groove Bottom Dia. (in.)	Connection Point to Groove Bottom (in.)	Throat Dimensions (in.)		Height Overall (in.)	Width Overall (in.)	Groove Radius (in.)	Flare Angle (Degrees)
					Height	Width				
	A	B	C	D	E	F	G	H	I	J
22	22	3 1/8	18 1/8	13	8 1/4	4	33 15/16	9 1/4	13/16	17
28	28	3 3/4	24	13 1/2	8	3 3/16	39 15/16	9 1/4	1	12 1/2
35	35	4	30 3/4	15 5/8	10 1/4	4 23/32	48 15/16	11	1 1/8	15
42	42	4 1/2	36	16 29/32	11	5 1/16	55 15/16	12 1/2	1 1/8	17

Size (nom.)	Max. Conductor OD (in.)	Max. Working Load Limit (lb.)	Block Weight (nom.) (lb.)	Material		Efficiency
				Frame	Sheave	
22	Refer to IEEE Standard 524 (2016)	12,000	54	A356-T6 aluminum (virgin)		98%
28		12,000	65			
35		12,000	115			
42		17,000	145			