

## 70 SERIES

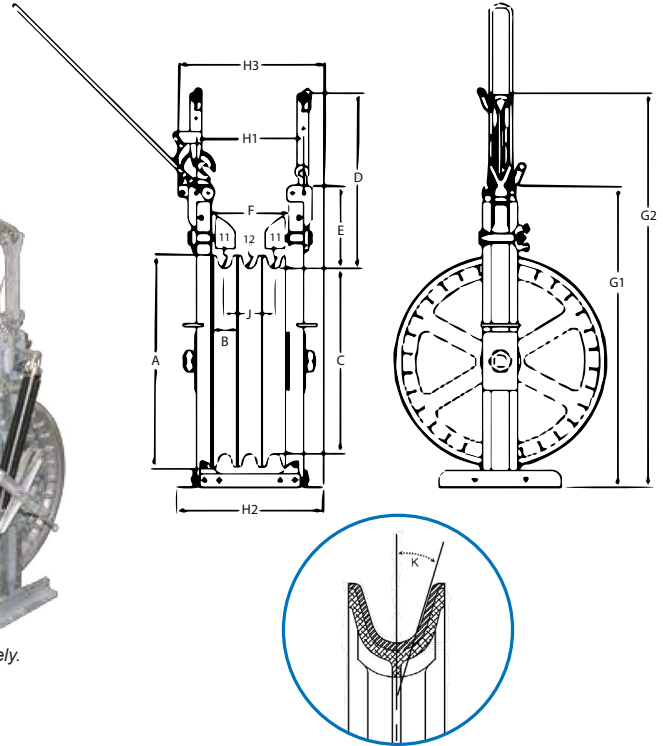
### FEATURES

Bundle Blocks are available in two, three, four, and six-conductor configurations per phase, with or without separate pulling-line sheave. The 70 Series stringing blocks have rigid frames made of hot-dipped galvanized steel, and are available in three designs: symmetrical, slim line, or offset. Bundle stringing blocks are ideal when the versatility of field - reconfiguration of the blocks is desired to meet the demands of changing stringing needs and conditions.

- Can be made in tandem to reduce break-over angle.
- Up to 6 sheave bundle block available.



\*Shown with Head Bar sold separately.



### COMPLETE DIMENSIONS

SIZE (NOM)	SHEAVE OD IN.	RIM WIDTH IN.		GROOVE BOTTOM DIA. IN.	CONNECTION POINT TO GROOVE BOTTOM IN.	THROAT DIMENSIONS IN.		HEIGHT OVERALL IN.		WIDTH OVERALL IN.			GROOVE RADIUS IN.		CENTER POINT IN.	FLARE ANGLE DEGREES	
		Outside Sheaves	Inside Sheaves			Height	Width	Block	Upper Mount	Outside Mounting Holes	Widest Point at Base	Widest Point w/ HWA-70	Outside Sheaves	Inside Sheaves		Outside Sheaves	Inside Sheaves
	A	B		C	D	E	F	G1	G2	H1	H2	H3	I1	I2	J	K	
28	28	3 1/4	4 3/4	24	30 1/2	13 5/8	12 1/4	43 1/8	61 1/8	18	23 3/4	24 1/16	1	19/32	8 1/2	12.5	15
32	32	3 1/4	4 3/4	28	30 1/2	13 3/4	12 1/4	47 1/2	64 1/4	18	23 3/4	23 5/16	1	19/32	8 1/2	12.5	15
36.5	36 1/2	4	4	32	28 13/26	14 1/2	13	52 1/8	67 1/2	18	24 1/2	24 7/16	1 1/8	1 1/8	8 1/2	15	15
42	-	-	-	-	29 3/16	15 5/8	14 1/2	58 5/8	72 3/16	20 1/16	26	26 3/16	-	-	9 1/2	-	-

### SPECIFICATIONS

SIZE (NOM)	MAXIMUM CONDUCTOR OD, IN.	MAXIMUM WORKING LOAD LB.	WEIGHT (NOM.) LB.			MATERIAL		EFFICIENCY
			BLOCK	BLOCK w/HWA-70	BLOCK w/HWA-70 & BG	FRAME	SHEAVE	
28	Refer to IEEE Standard 524 (2016)	15,000	235	285	345	Steel	A356-T6 Aluminum-(virgin)	98%
32		15,000	275	325	385	Steel		
36.5		15,000	410	460	520	Steel		
42		12,000	427	-	-	Steel		

### ACCESSORIES

- Hold Down Rollers
- HWA-70 Helicopter Arm Attachment
- Head Bar single or dual point suspension
- Stands
- Bundle Block Grounds



### HARD NOSE RUNNING BOARD

Sherman + Reilly Model Hard Nose Running Boards are designed to work “hand-in-glove” with all Sherman + Reilly Bundle Blocks: 2-conductor, 3-conductor, 4-conductor or 6-conductor. For other configurations, please contact S+R.