



SHERMAN & REILLY

400 West 33rd St. • Chattanooga, TN 37410 USA

Toll Free 1.800.251.7780 • Phone 423.756.5300 • Fax 423.756.2948

Web Site - <http://www.sherman-reilly.com> • E-Mail - sales@sherman-reilly.com

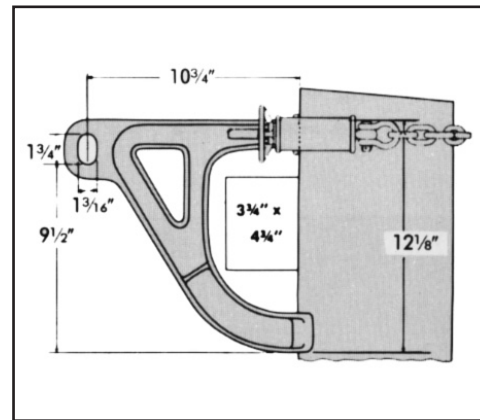
TRANSFORMER GIN

Transformer Gin



NOTICE

Sherman & Reilly, Inc. products are designed for use only with Sherman & Reilly component parts, attachments and accessories, and no other. Sherman & Reilly parts, accessories and attachments are designed for use only with Sherman & Reilly products. Use of Sherman & Reilly products, parts, attachments or accessories in conjunction with any other manufacturer's products, parts, attachments or accessories will void all express or implied Sherman & Reilly warranties, and Sherman & Reilly assumes no liability in connection with such use.



S&R Transformer Gin Model No. TG-1

A lightweight gin for hoisting transformers. Weighs only 11 1/4 lbs., with a maximum working load of 2,500 lbs.

Quick mounting with a screw type, spring loaded chain tighter. Design permits straddling crossarms through 3 3/4" x 4 3/4".

A large eye permits attaching almost any size block; however, swivel connections should be used.

Illustrated above is size 12, model 9510 Big-Little Block, details on reverse side, of all aluminum with polyurethane lining for all types of hoisting lines, even wire rope.

With quick operating spring loaded chain tightener, the Transformer Gin can easily be rotated around pole for cluster mounting.

The S&R Transformer Gin has been designed so that placement of transformers on poles is very easy and economical.

SPECIFICATIONS

M. W. L. (Total Load on Gin)	2,500 lbs.
Total weight	11 1/4 lbs.
Chain Size9/32"
Maximum Pick-Up (One Single Block)	1,250 lbs.
(Two Single Blocks)	1,650 lbs.
(One Double, One Single Block) ..	1,875 lbs.
(Two Double Blocks)	2,000 lbs.

NOTE:

Hoisting line must be run through a block at the bottom of the pole, or power capstan must be mounted on pole below gin. Maximum vertical line lead off 15°.

*Dimensions, weights, capacities are approximate. Manufacturer's specifications subject to change without notice.

