



SHERMAN & REILLY

400 West 33rd St. • Chattanooga, TN 37410 USA

Toll Free 1.800.251.7780 • Phone 423.756.5300 • Fax 423.756.2948

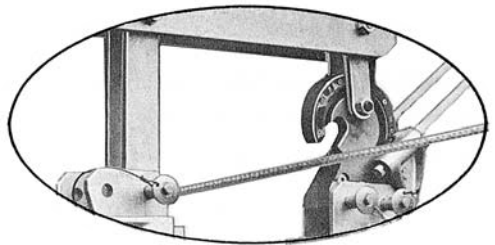
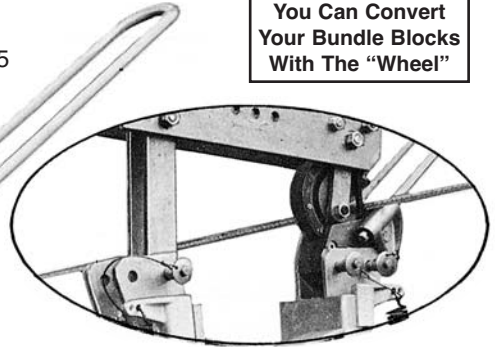
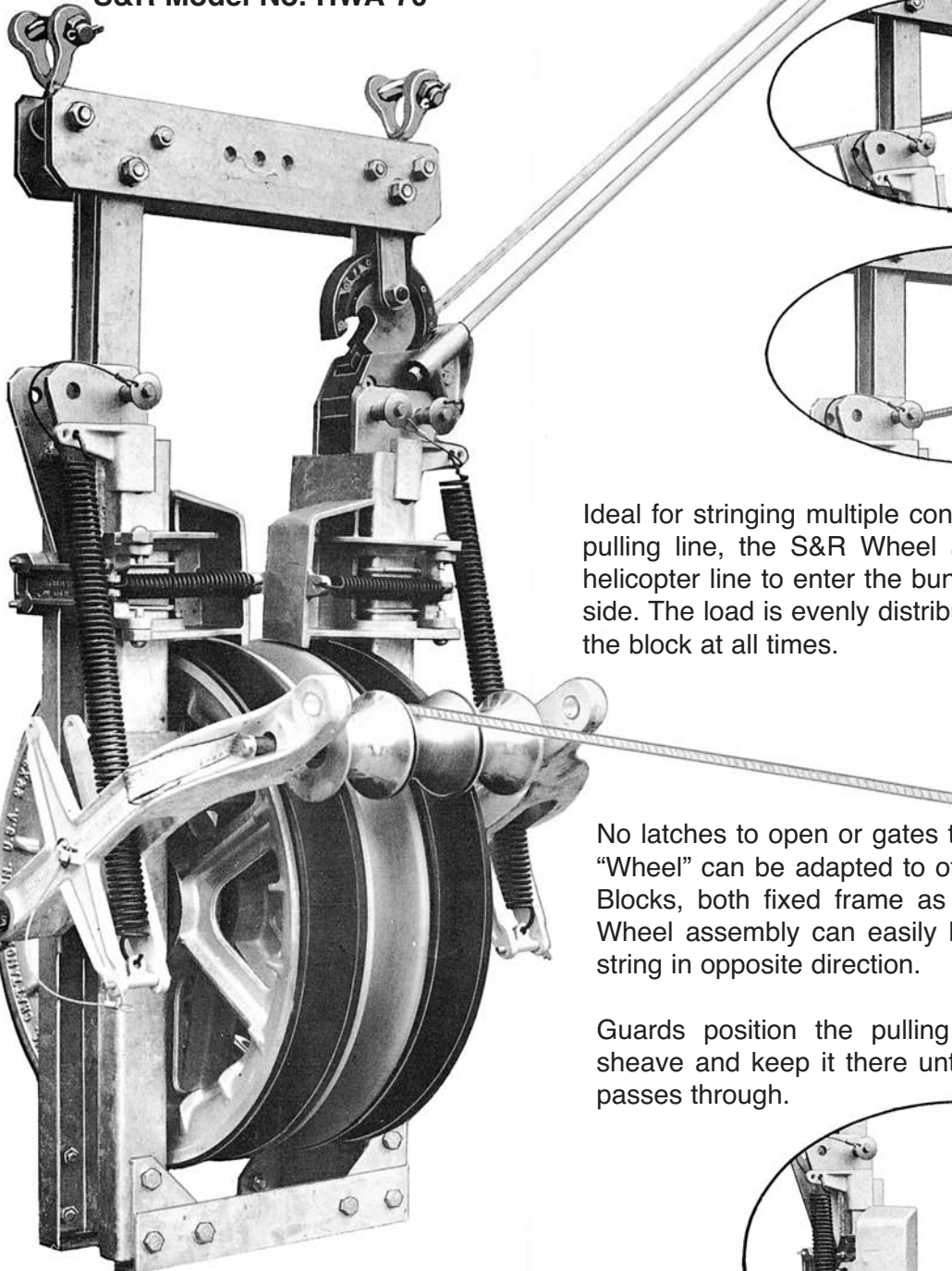
Web Site - <http://www.sherman-reilly.com> • E-Mail - sales@sherman-reilly.com

Helicopter Bundle Block

S&R Model No. HWA-70

U.S. Patent No. 3,905,581
Canada Patent No. 1,019,315
Mexico Patent No. 139,000

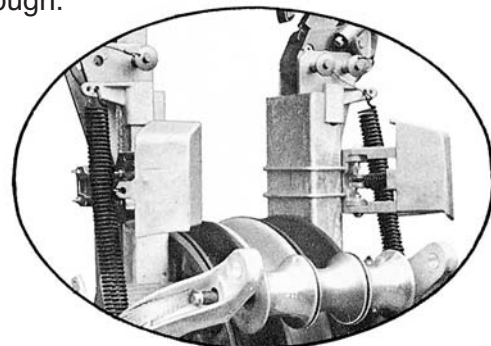
You Can Convert
Your Bundle Blocks
With The "Wheel"



Ideal for stringing multiple conductors with a single pulling line, the S&R Wheel assembly allows the helicopter line to enter the bundle block from either side. The load is evenly distributed on both sides of the block at all times.

No latches to open or gates to shut and lock, the "Wheel" can be adapted to other types of Bundle Blocks, both fixed frame as well as Multiversal. Wheel assembly can easily be turned around to string in opposite direction.

Guards position the pulling line in the center sheave and keep it there until the running board passes through.



U.S. Patent Nos. 3,720,399; 3,844,536
Canada Patent No. 987,657
Mexico Patent No. 137,334

Helicopter Blocks

SHERMAN & REILLY

400 West 33rd St. • Chattanooga, TN 37410 USA

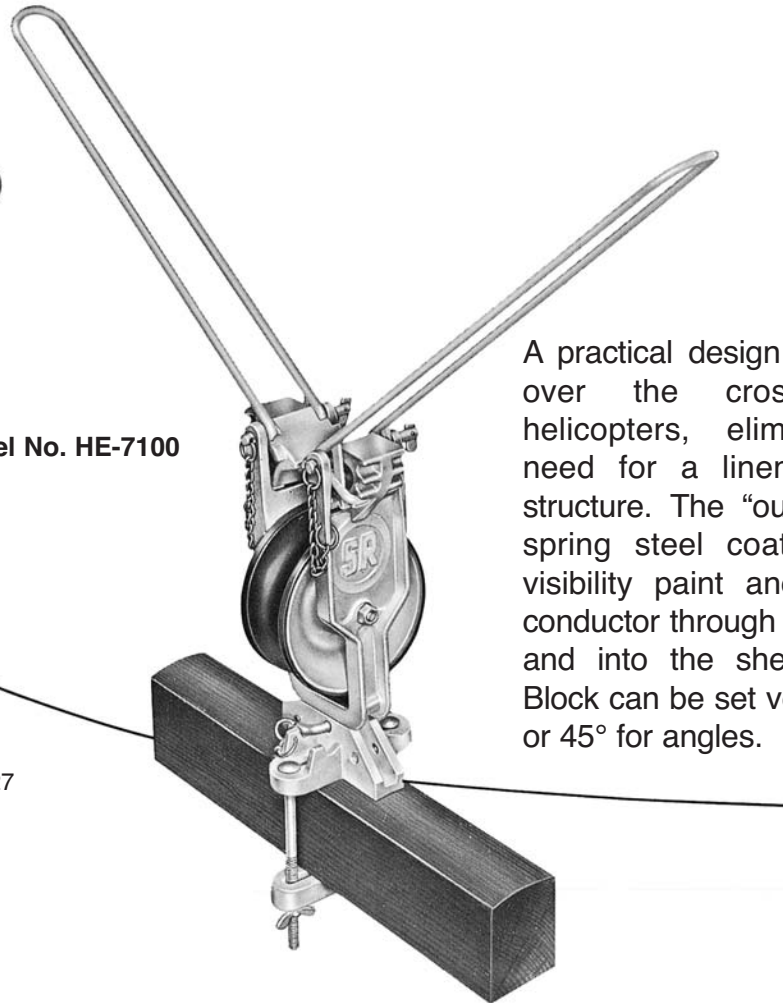
Toll Free 1.800.251.7780 • Phone 423.756.5300 • Fax 423.756.2948

Web Site - <http://www.sherman-reilly.com> • E-Mail - sales@sherman-reilly.com

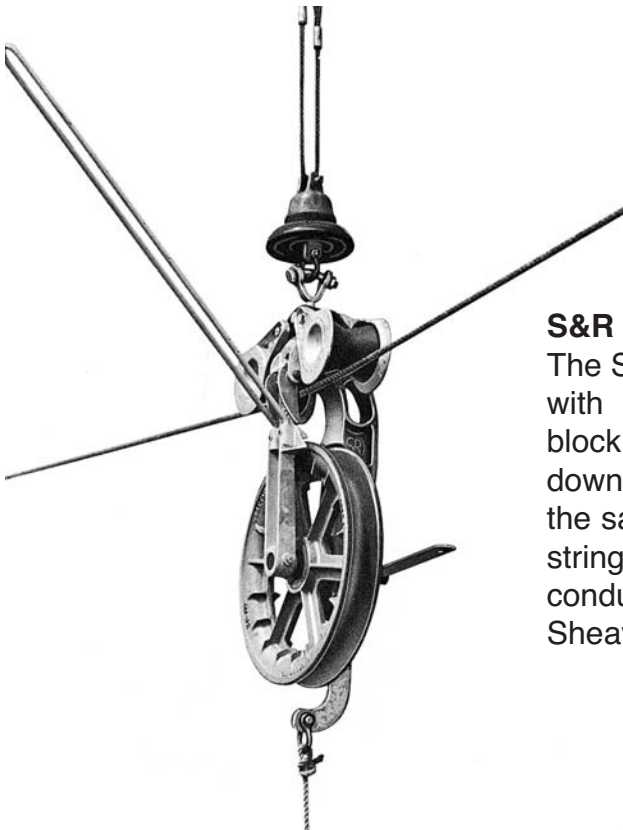


Model No. HE-7100

U.S. Patent No. 3,195,862
Canada Patent No. 753,527
Mexico Patent No. 83,240



A practical design for stringing over the crossarm with helicopters, eliminating the need for a lineman on the structure. The “outriggers” are spring steel coated with hi-visibility paint and guide the conductor through the trap door and into the sheave groove. Block can be set vertical, 22½°, or 45° for angles.



S&R Model No. 7212-H

The Sherman & Reilly Single Multiversal Block is shown with the helicopter “outrigger arm” attachment. This block also features the double uplift rollers and hold-down attachment that are available. This basic block is the same as would be used for normal single conductor stringing, or combined with sheaves or drums for bundle conductor stringing.

Sheave available with Neoprene or Urethane lining.

NOTICE

Sherman & Reilly, Inc. products are designed for use only with Sherman & Reilly component parts, attachments and accessories, and no other. Sherman & Reilly parts, accessories and attachments are designed for use only with Sherman & Reilly products. Use of Sherman & Reilly products, parts, attachments or accessories in conjunction with any other manufacturer's products, parts, attachments or accessories will void all express or implied Sherman & Reilly warranties, and Sherman & Reilly assumes no liability in connection with such use.



Toll Free 1.800.251.7780

© Copyright 2000, Sherman & Reilly, Inc. Chattanooga, Tennessee

ISO 9001:2000 Certified