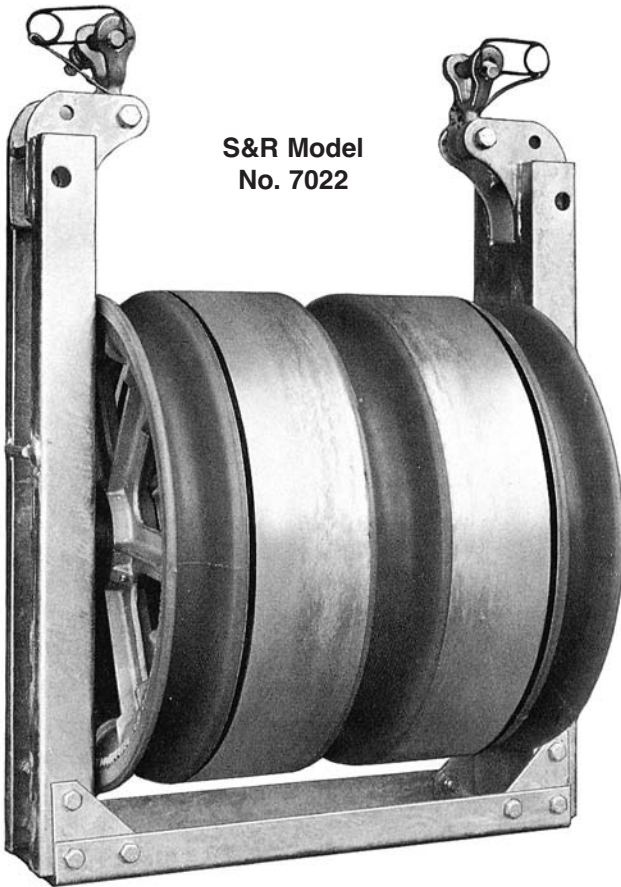


Bundle Blocks

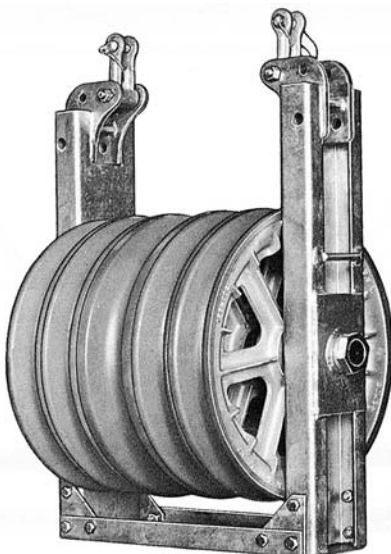


S&R Model
No. 7022

The S&R 70 Series is a fixed or rigid frame block constructed of steel, hot dipped galvanized and custom formed for extra strength. Conductor sheaves and center drum are high strength aluminum alloy, which rotate independently on anti-friction ball bearings. Head bars also available.

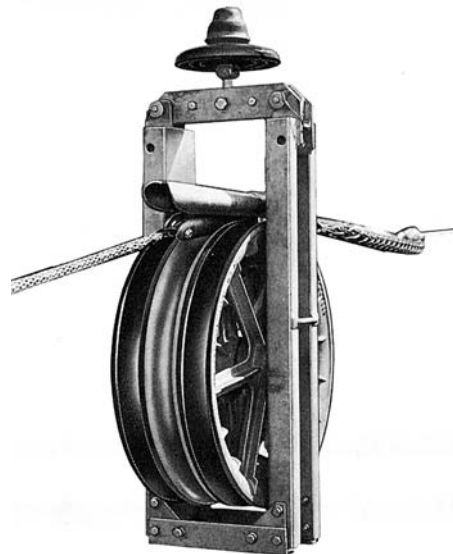
Center groove lined with Polyurethane for steel pulling lines. Model 7022 is designed to string two conductors simultaneously with one pulling line on 18" centers. Two-conductor bundle blocks also available in multiversal design.

For Conductor Sheave Specifications, see page 5-2 & 5-4



S&R Model No. 7042

Fixed Frame Block for stringing two or four conductors with a single pulling line



S&R Model No. 7022-B

The S&R "Slim Line" type blocks are for stringing two conductors on closer centers than they are normally "clipped in." Ideal for use where minimum weight and cost are prime factors, the Model 7022-B is a fixed frame version, and the Model 7222-B is a multiversal design capable of conversion to single or helicopter blocks.



S&R Model No. 7222-B



SHERMAN & REILLY

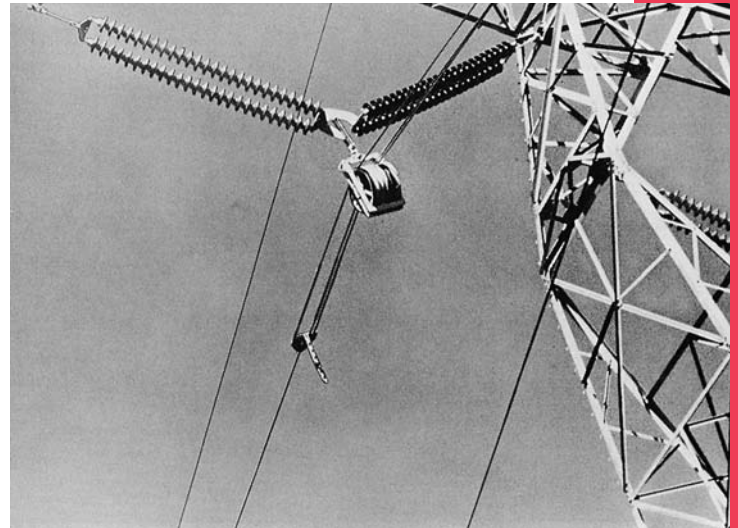
400 West 33rd St. • Chattanooga, TN 37410 USA

Toll Free 1.800.251.7780 • Phone 423.756.5300 • Fax 423.756.2948

Web Site - <http://www.sherman-reilly.com> • E-Mail - sales@sherman-reilly.com

Offset Blocks

Bundle Conductor Blocks



S&R Running Boards are designed to work with S&R Blocks. This picture shows how well the Three-Conductor Offset System works, even on steep angles.

For Conductor Sheave Specifications, see page 5-2 & 5-4

The 7232-FF is an offset design and utilizes an engineered system of balancing two conductors with one. This block has a separate groove for the pulling line and three additional conductor sheaves, each rotating independently for easy sag. Pulling line groove is lined with high carbon steel, conductor sheaves either Urethane or Neoprene lined.

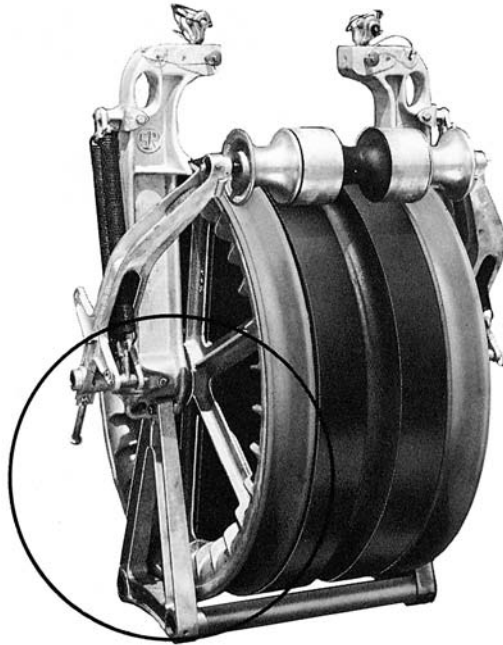
By removing one bolt, the frame can be removed and the outer sheave turned 180° and repositioned, allowing the block to be converted to a two-conductor block with sheaves on 18" centers.

Three-conductor blocks are also available in the fixed frame design. Blocks available with Y Clevis fitting as shown, or with head bar (For Fittings, see page 5-18).



S&R Model No. 7232-FF
(Converted for 2 Conductors)

Bundle Block Accessories



S&R Model No. ST-72

U.S. Patent No. 3,720,399; 3,844,536
Canada Patent No. 937,922; 987,657

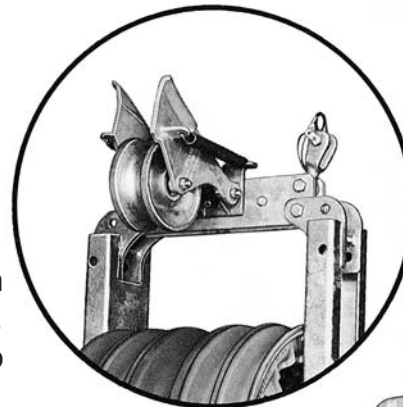
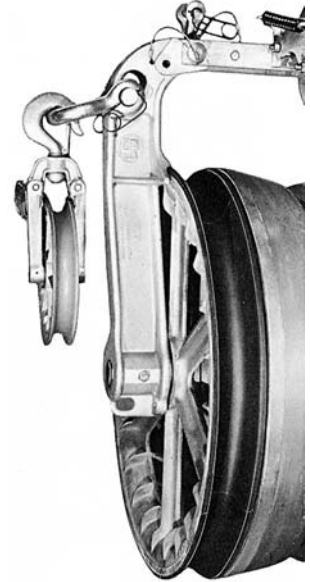
S&R Bundle Multiversals are available with stands making the block easier to store. These stands are removable, if desired, to lighten the block or left in place permanently.

NOTE: Block grounds shown are available for all S&R's Bundle Blocks. For complete information, see pages 5-22 through 5-26.

CATCH-OFF BLOCKS

All Sherman & Reilly Bundle Conductor Stringing Blocks, including the Multiversal, are designed for attaching a Catch-Off Block. This connection is positioned to enable the catch-off cable riding at approximately the same level as the conductor preventing any sharp breakovers.

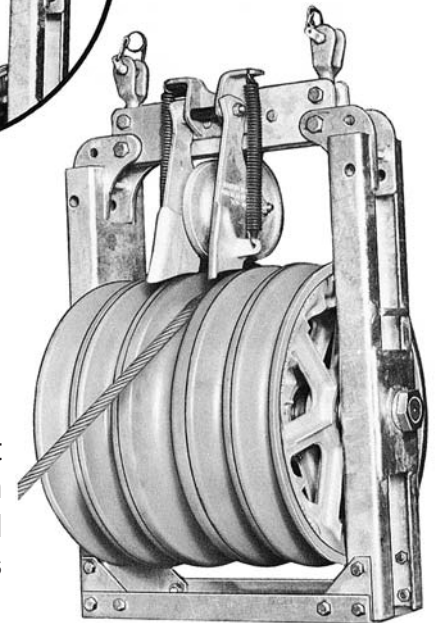
Catch-Off Blocks are available to meet varying load requirements and for all sizes of S&R Bundle Conductor Stringing Blocks.



**S&R Model
No. HDR-10**

S&R Model No. HDR-10

The automatic hold-down roller is designed to prevent the pulling line from lifting out of the center groove in rugged terrain. The roller holds the pulling line and automatically releases when the running board passes through. Also available on other bundle blocks.



S&R Model No. 7042

NOTICE

Sherman & Reilly, Inc. products are designed for use only with Sherman & Reilly component parts, attachments and accessories, and no other. Sherman & Reilly parts, accessories and attachments are designed for use only with Sherman & Reilly products. Use of Sherman & Reilly products, parts, attachments or accessories in conjunction with any other manufacturer's products, parts, attachments or accessories will void all express or implied Sherman & Reilly warranties, and Sherman & Reilly assumes no liability in connection with such use.

U.S. Patent No. 3,584,837
Canada Patent No. 887,520
Japan Patent No. 804,198