



# SHERMAN & REILLY

400 West 33rd St. • Chattanooga, TN 37410, USA

Toll Free 1.800.251.7780 • Phone 423.756.5300 • Fax 423.756.2948

Web Site - <http://www.sherman-reilly.com> • E-Mail - [sales@sherman-reilly.com](mailto:sales@sherman-reilly.com)

## 97 SERIES

## Aerial Cable Blocks

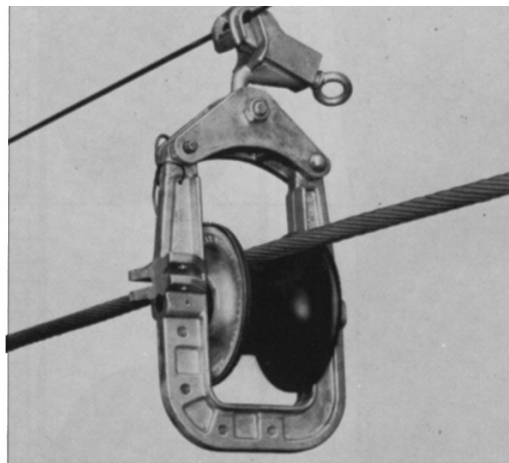


S&R Model No. 9712-NY

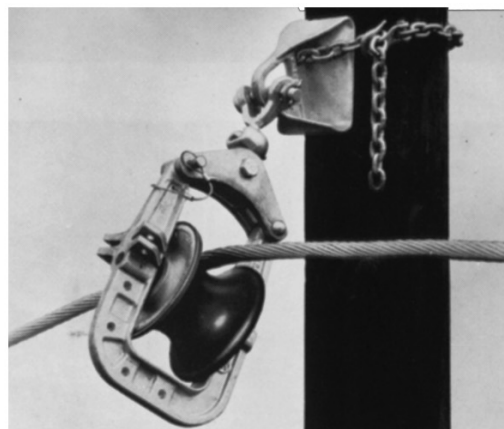
The 9712 Series is extremely versatile for stringing overhead cables. Frame is light weight aluminum alloy and can be mounted directly to the pole or suspended from the messenger. Sheave is high strength, abrasion resistant nylatron composite.

#### NOTICE

Sherman & Reilly, Inc. products are designed for use only with Sherman & Reilly component parts, attachments and accessories, and no other. Sherman & Reilly parts, accessories and attachments are designed for use only with Sherman & Reilly products. Use of Sherman & Reilly products, parts, attachments or accessories in conjunction with any other manufacturer's products, parts, attachments or accessories will void all express or implied Sherman & Reilly warranties, and Sherman & Reilly assumes no liability in connection with such use.



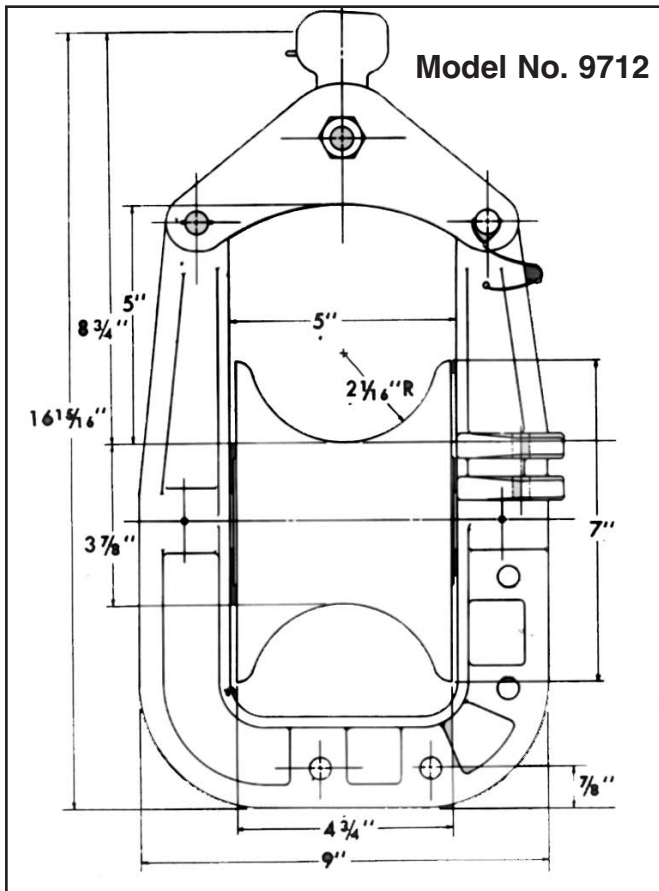
S&R Model No. 9710 Aerial Cable Block Wedge type clamp secures block to different size messengers, ideal for mid-span support.



Block can be suspended to Model B-747 Pole Bracket.



Model 9730 "Open-Side" Block for hanging directly to messenger.



**Dimensions for Model No. 9710 and Model No. 9712**

Maximum O.D. Conductor . . . . . 4"  
 Maximum Working Load  
 in suspension . . . . . 5,000 lbs.  
 Block Weight . . . . . 16 lbs.

**NOTICE**

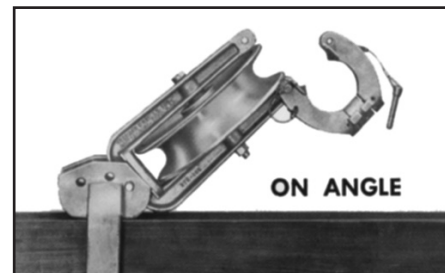
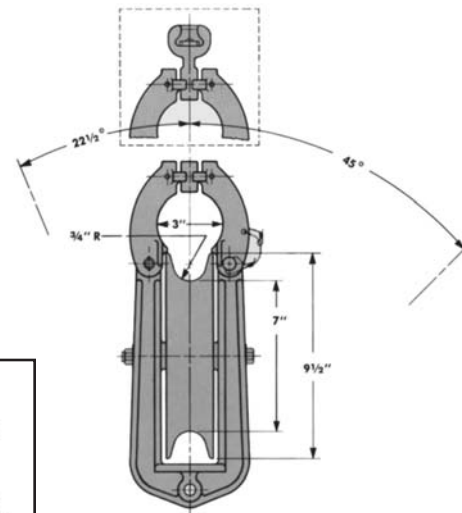
Sherman & Reilly, Inc. products are designed for use only with Sherman & Reilly component parts, attachments and accessories, and no other. Sherman & Reilly parts, accessories and attachments are designed for use only with Sherman & Reilly products. Use of Sherman & Reilly products, parts, attachments or accessories in conjunction with any other manufacturer's products, parts, attachments or accessories will void all express or implied Sherman & Reilly warranties, and Sherman & Reilly assumes no liability in connection with such use.

**VERSATILE T&D BLOCK  
S&R Model No. XS-905**

For distribution or sub-transmission construction, block is easily installed on crossarm with hot stick if necessary. Block can be positioned for angles and has built-in uplift roller. Socket connector interchangeable fitting for suspension. Ideal for longer spans and larger distribution conductor.

**SPECIFICATIONS**

6,500 lbs. M.W.L. SUSPENDED  
 2,500 lbs. M.W.L. CROSSARM MOUNTED  
 4" x 5" MAX. CROSSARM SIZE



**Model No. XS-905**